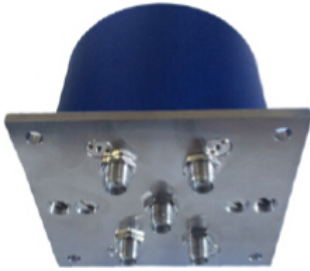




UNIVERSAL COOPERATE LTD.

Model: UCL-CW-03-A-series

SP4T Coaxial Switch



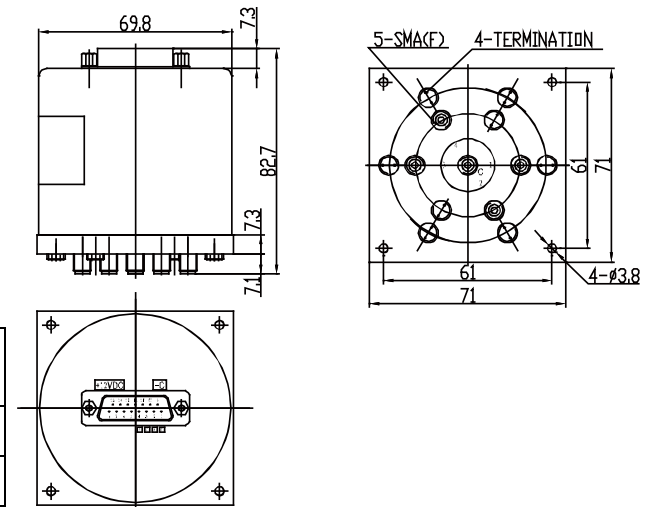
RF Characteristics

Frequency (GHz)	VSWR	Isolation (dB)	Ins. Loss (dB)
0~2	1.15	90	0.2
2~4	1.2	80	0.2
4~8	1.3	75	0.3
8~12	1.4	70	0.4
12~18	1.5	60	0.5

Specifications

- Operating Voltage : DC12V, 28V
- Operating Current : 400mA
- Switch Time : ≤20ms
- Operating Tem. : -40° C~+85° C
- Storage Tem. : -55° C~+85° C
- Mechanical Life : ≥10⁶
- Drive Voltage : 4~5V
- Drive Current : 0.02~0.8mA

Mechanical

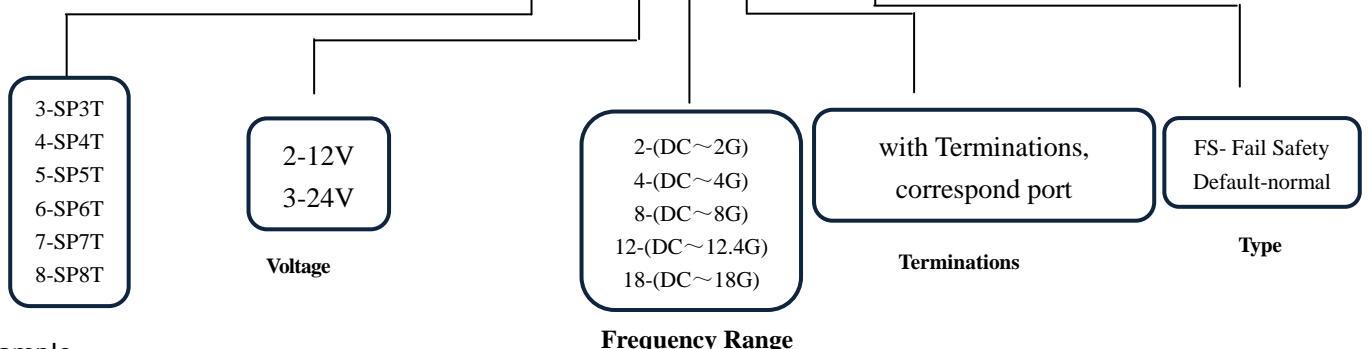


Impedance : 50 Ω Model Number	Connector Type	Dimensions (mm)	Weight (g)
UCL-CW-03-A-F2/4-D1	SMA	71x71x71	400
UCL-CW-03-A-F-2/4-D2	N	71x71x71	400
UCL-CW-03-A-F-2/4-4T	SMA	71x71x71	400
UCL-CW-03-A-F-2/4-4C	SMA		

UCL-CW-03-A-F-2-4-D2 Shown

Model Number Selection

UCL-CW-03-A-F-□-□-□ T-D2-□



Example:

UCL-CW-03-A-F-2-4-D2 means SP3T latching coaxial switch with operating voltage 28V,connector type SMA,with 3 termination.

* Dimensions Tolerance ±2%
** Custom designs available.